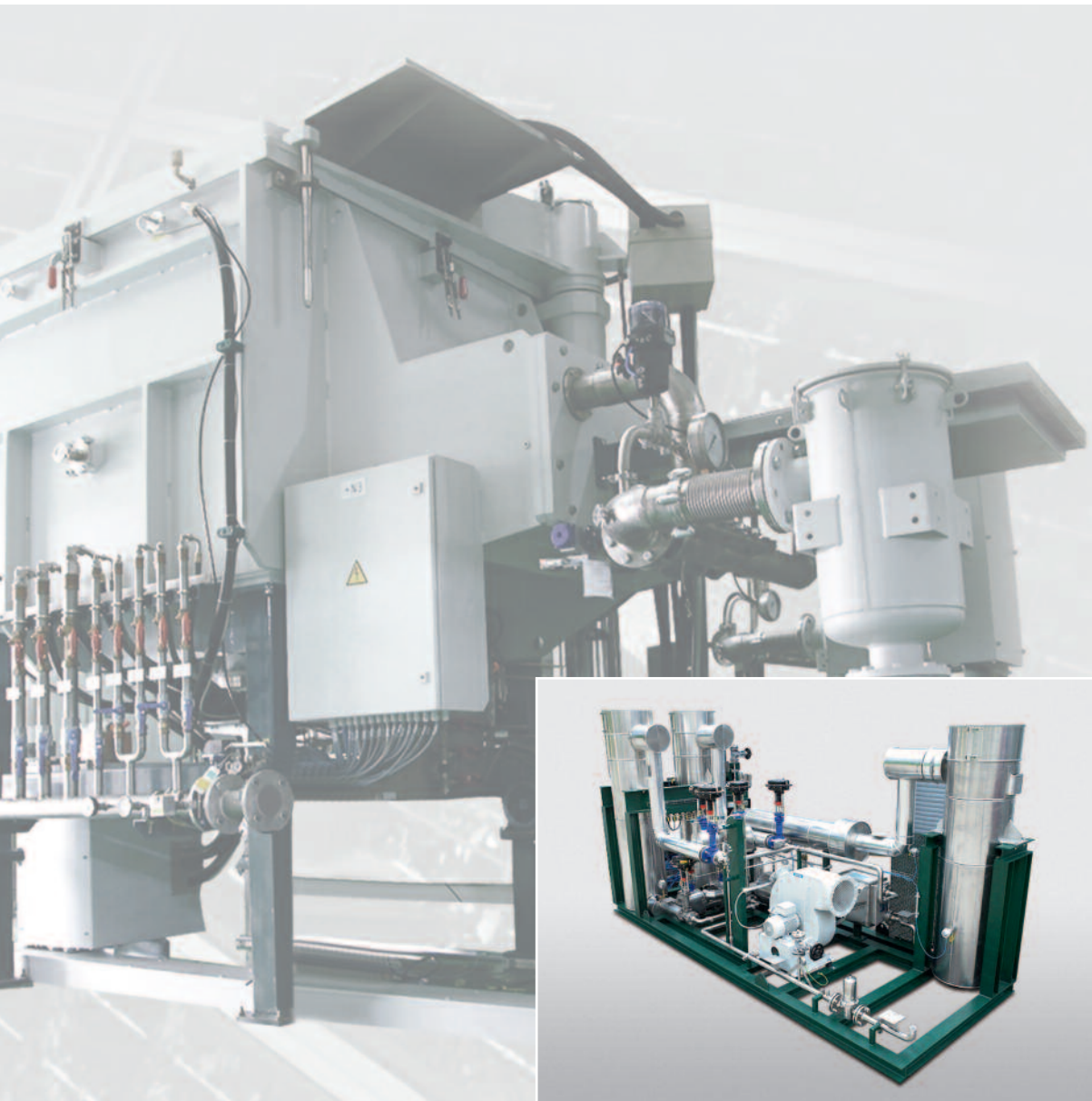


The Solution



Argon Gas Recycling Unit

in Solar-Si Ingot Production

Argon Gas Recycling Unit in Solar-Si Ingot Production

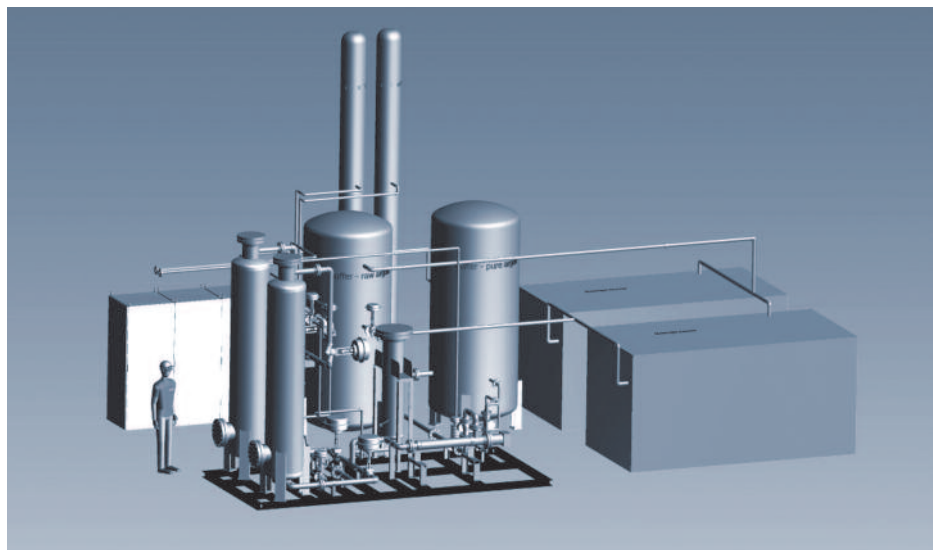
Argon gas is required in the production of poly-crystalline and mono-crystalline solar silicon ingots. Argon is a rare and expensive gas, and is currently exhausted to the atmosphere. ALD has developed and implemented a solution to recycle more than 80 % of this precious technical gas in solar silicon ingot production with the SCU (Silicon Crystallization Unit) series furnace.

Features:

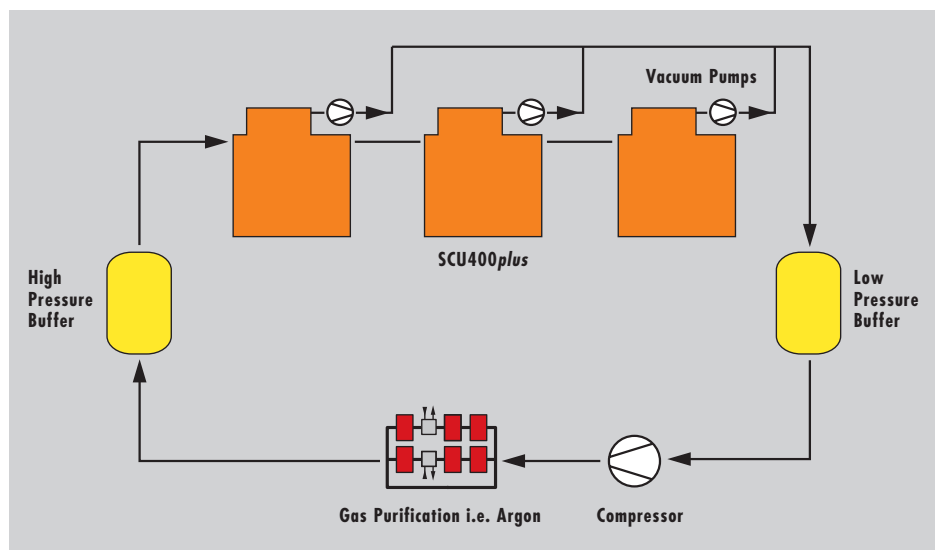
- Efficient reduction of argon consumption of more than 80 %
- Fully automated operation with remote control
- Highest availability of systems for long-term operation
- Guaranteed gas quality higher than 5.0 (99.999 %)

Advantages:

- Direct reduction of operating costs within your production
- Short amortisation period
- Active and sustainable environment protection
- Reduced dependence on argon supply and availability



Basic Layout of Argon Recycling Unit



Argon Recycling Unit integrated into inert gas flow of SCU series furnace installation



ALD Vacuum Technologies GmbH

Wilhelm-Rohn-Strasse 35
D-63450 Hanau, Germany
Phone: +49 (0) 6181- 307-0
Fax: +49 (0) 6181- 307-3290
e-mail: info@ald-vt.de
Internet: www.ald-vt.de

China

ALD Liaison Office
c/o C&K Development Co., Ltd.
Rm. 1102, South Office Tower
Hong Kong Plaza
283 Huai Hai Zhong Rd.
Shanghai, 200021, China
Phone +86 (21) 63 85 - 55 00
e-mail: ald@ald-vt.cn

Far East

ALD Thermo Technologies Far East Co., Ltd.
10F. Shinjuku Nomura Bldg.
1-26-2 Nishi-Shinjuku, Shinjuku-Ku
Tokyo 163-0558, Japan
Phone +81 (3) 33 40 37 26
e-mail: Peter.Lang@ald-vt.de

Great Britain

ALD Vacuum Technologies Ltd.
First Floor
276 High Street
Guildford, Surrey GU 1 3JL, UK
Phone +44 (1483) 45 44 34
e-mail: info@aldvactech.co.uk

Russia

ALD Vacuumyie Technologii OOO
ul. Bolschaja Ordynka 40, str. 2
109017 Moskau, Russia
Phone +7 (495) 787 6733
e-mail: ald@metallurg.com.ru

USA / Canada

ALD Vacuum Technologies, Inc.
18, Thompson Road
East Windsor, CT 06088, USA
Phone +1 (860) 386 72 - 27
e-mail: info@ald-usa.com